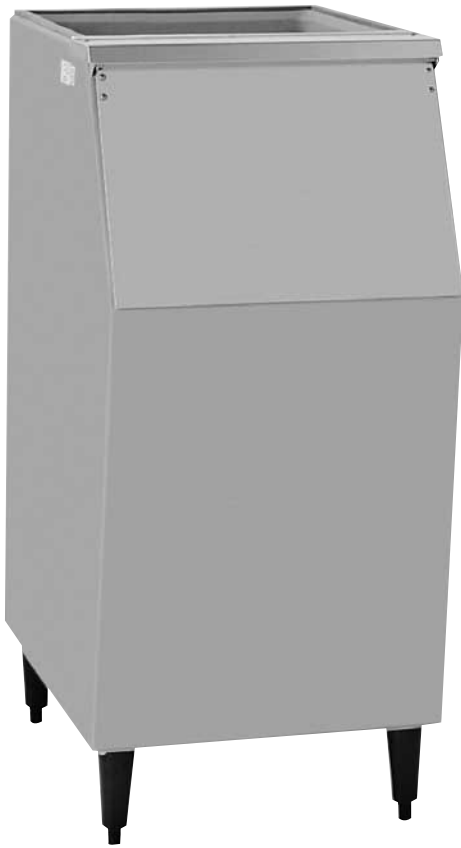




Model B322AP

Ice Storage Bin



Features:

- Space saving design – only 22" wide
- Quality construction
- One piece rotomolded cabinet
- Corrosion proof
- Virtually indestructible
- Stainless steel door



Model B322AP

Technical Specifications:

Certified Cube Storage Capacity: 260 lbs. (118 kgs.) certified in accordance with ARI Standard 820-88

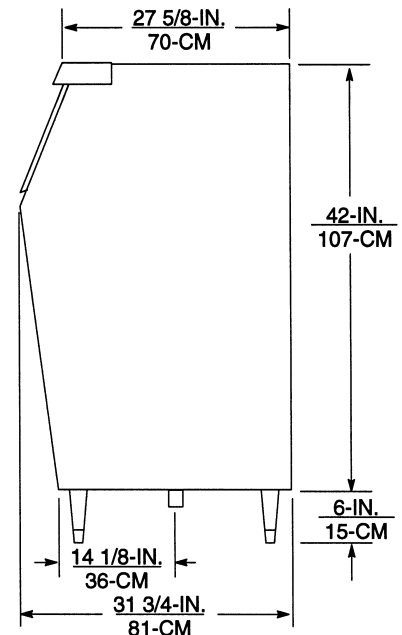
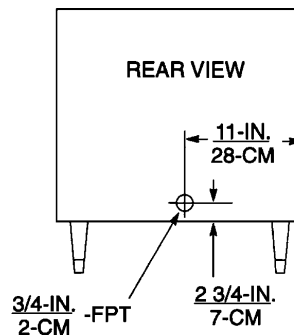
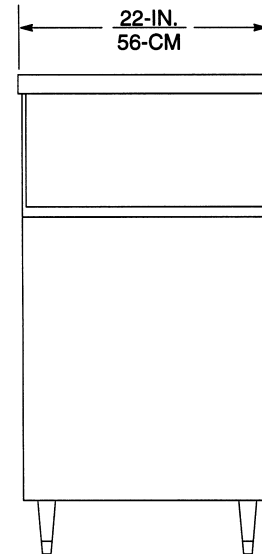
Drain Connection: 3/4" (2 cm) fitting can be adapted to plastic, copper or galvanized drain line

Ice Storage Capacity: 300 lbs. (136 kgs.)

Operating Weight: 80 lbs. (37 kgs.)

Shipping Weight: 90 lbs. (41 kgs.)

Agency Listings:



Model No.	Description	Cabinet finish
B322AP	Ice Storage bin	Gray polyethylene exterior and interior stainless door



For more information or to place an order, contact your sales representative or authorized distributor.

In the US:
 Phone: 1-800-238-3600
 Fax: 1-800-535-4235
Outside the US:
 Phone: 1-612-421-6120
 Fax: 1-612-422-3297

IMI Cornelius Inc.
 One Cornelius Place
 Anoka, MN 55303-6234
 USA